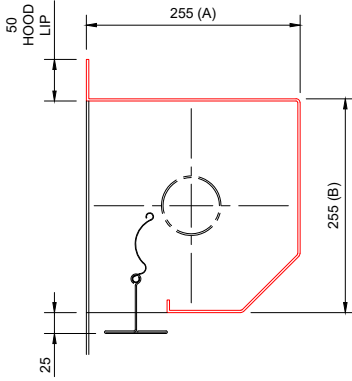


**CD13.5R**

**FLAMESHIELD FS120T TUBE MOTOR FIRE SHUTTER HEADBOX CONFIGURATION - SECTIONS**

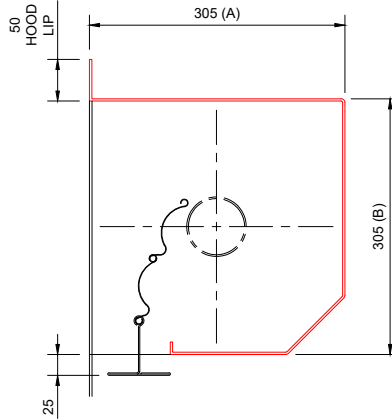
FLAMESHIELD FS120T  
HEAD BOX SIZE A: 255 x 255mm

OVERALL WIDTH (C)	OVERALL HEIGHT (D)
4000	1500



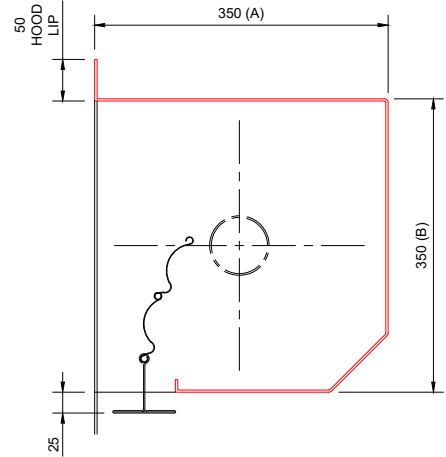
FLAMESHIELD FS120T  
HEAD BOX SIZE B: 305 x 305mm

OVERALL WIDTH (C)	OVERALL HEIGHT (D)
4000	2900



FLAMESHIELD FS120T  
HEAD BOX SIZE C: 350 x 350mm

OVERALL WIDTH (C)	OVERALL HEIGHT (D)
4000	3800



\* FIRE SHUTTER SIZES ARE GOVERNED BY THE STRUCTURE AND FIRE RATING REQUIRED  
\* RED SECTION DENOTES FULL WIDTH HOOD - MUST BE ACCESSIBLE FOR REPAIR AND MAINTENANCE PURPOSES

Drawing Title: FLAMESHIELD FS120T FIRE SHUTTER	Drawn By: DD
	Date: 05-12-2023
	Checked By: CE
	Date: 05-12-2023
All dimensions in millimetres - DO NOT SCALE	Drawing No: CD13.5R_01



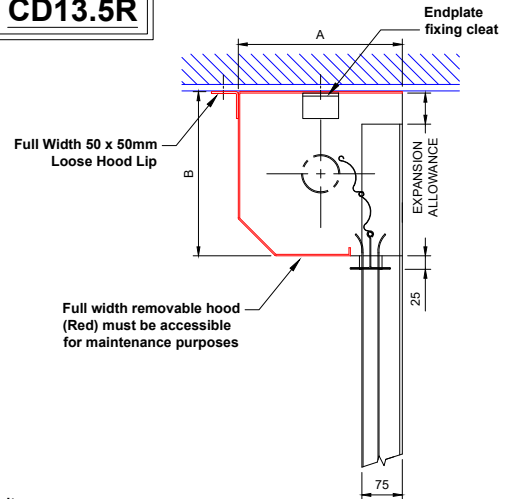
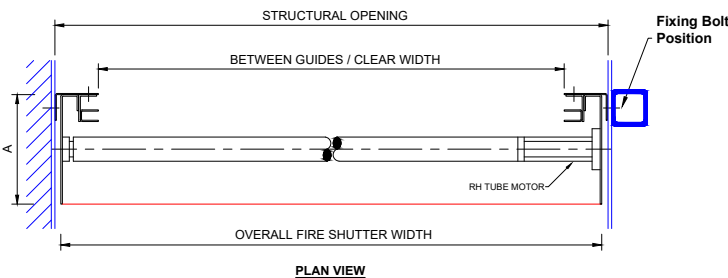
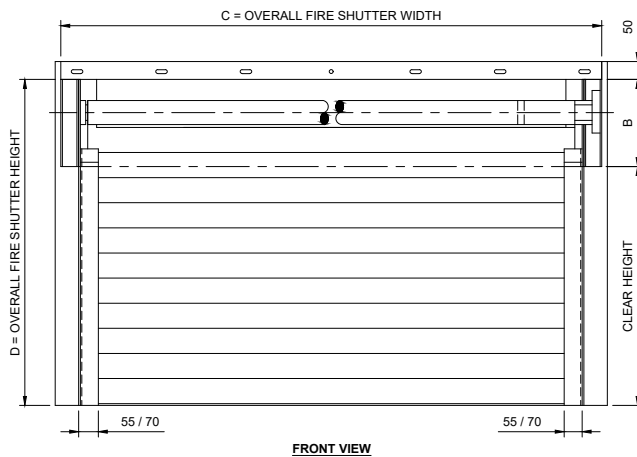
A1 Shutters Limited  
Jackson Works  
Raikes Lane Industrial Estate  
Bolton BL3 2NH  
Telephone 01204 383839

**FLAMESHIELD FS120T FIRE SHUTTER GENERAL ARRANGEMENT DRAWING: REVEAL / SOFFIT FIT**

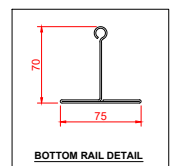
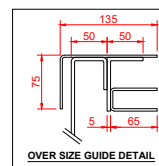
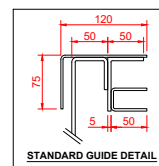
**Key:**  
— Components supplied by A1S Group  
— Structure already in situ

All openings must be capable of carrying the weight of the fire shutter and be equal or greater than the fire resistance of the fire shutter assembly.

**CD13.5R**



GUIDES CHANGE FROM STANDARD TO OVERSIZED AT 3500mm+ OVERALL WIDTH



FIRE RATING	120 MINS
FIRE RATED STRUCTURE	STEEL / MASONRY

Description: FLAMESHIELD FS120T FIRE SHUTTER	Drawn By: DD
	Date: 05-12-2023
	Checked By: CE
	Date: 05-12-2023
All dimensions in millimetres - DO NOT SCALE	Drawing: CD13.5R-02



A1 Shutters Limited  
Jackson Works  
Raikes Lane Industrial Estate  
Bolton BL3 2NH  
Telephone 01204 383839