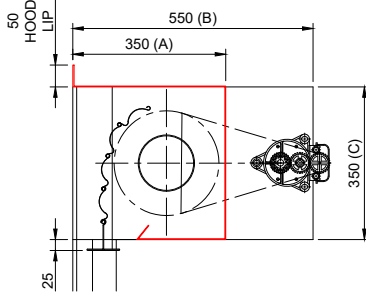


CD15F

FLAMESHIELD FS60 JM TUBE MOTOR FIRE SHUTTER HEADBOX CONFIGURATION - SECTIONS

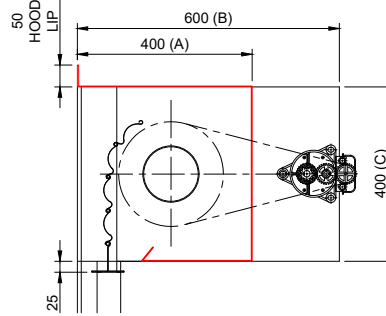
FLAMESHIELD FS60 JM
HEAD BOX SIZE A: 350 x 350mm
MOTOR ENDPLATE A: 550 x 350mm

OVERALL WIDTH (D)	OVERALL HEIGHT (E)
4000	3375



FLAMESHIELD FS60 JM
HEAD BOX SIZE B: 400 x 400mm
MOTOR ENDPLATE B: 600 x 400mm

OVERALL WIDTH (D)	OVERALL HEIGHT (E)
4000	3800



- A x C = NON-MOTOR END PLATE
- B x C = MOTOR END PLATE

* FIRE SHUTTER SIZES ARE GOVERNED BY THE STRUCTURE AND FIRE RATING REQUIRED
* RED SECTION DENOTES FULL WIDTH HOOD - MUST BE ACCESSIBLE FOR REPAIR AND MAINTENANCE PURPOSES

Drawing Title: FLAMESHIELD FS60 JM FIRE SHUTTER	Drawn By: DD
	Date: 05-12-2023
	Checked By: CE
	Date: 05-12-2023
All dimensions in millimetres - DO NOT SCALE	Drawing No: CD15R_01



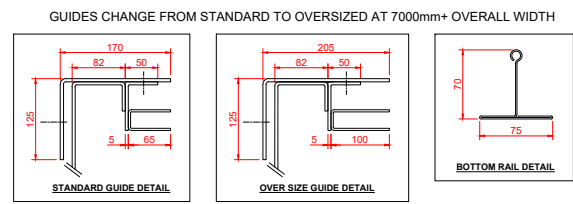
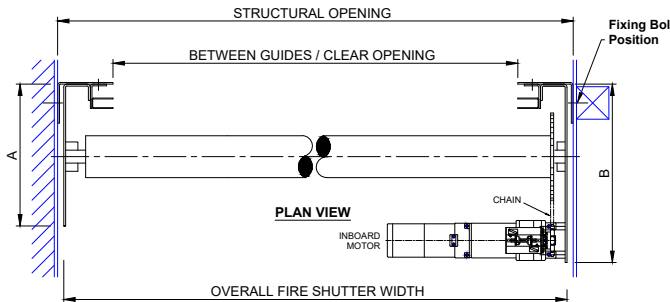
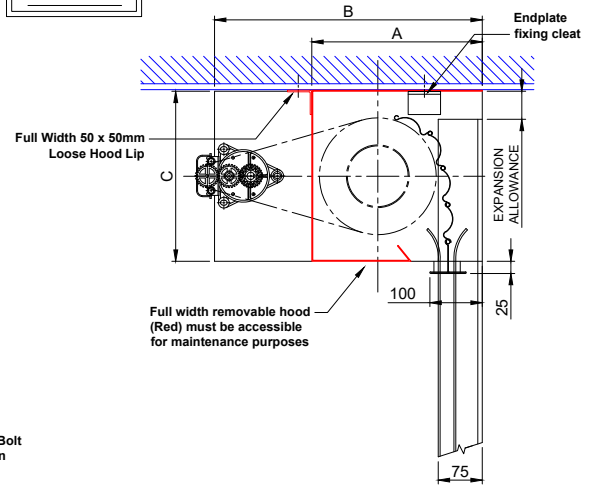
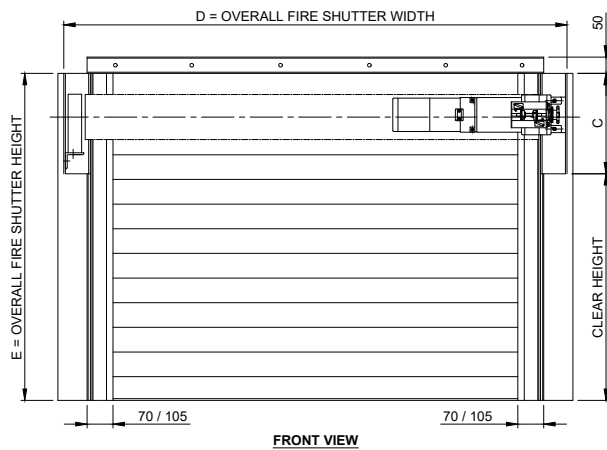
A1 Shutters Limited
Jackson Works
Raikes Lane Industrial Estate
Bolton BL3 2NH
Telephone 01204 383839

FLAMESHIELD FS60 JM FIRE SHUTTER GENERAL ARRANGEMENT DRAWING: REVEAL / SOFFIT FIT

Key:
— Components supplied by A1S Group
— Structure already in situ

All openings must be capable of carrying the weight of the fire shutter and be equal or greater than the fire resistance of the fire shutter assembly.

CD15R



FIRE RATING	60 MINS
FIRE RATED STRUCTURE	TIMBER / STEEL / MASONRY

Description: FLAMESHIELD FS60JM FIRE SHUTTER	Drawn By: DD
	Date: 05-12-2023
	Checked By: CE
	Date: 05-12-2023
All dimensions in millimetres - DO NOT SCALE	Drawing: CD15R-02



A1 Shutters Limited
Jackson Works
Raikes Lane Industrial Estate
Bolton BL3 2NH
Telephone 01204 383839